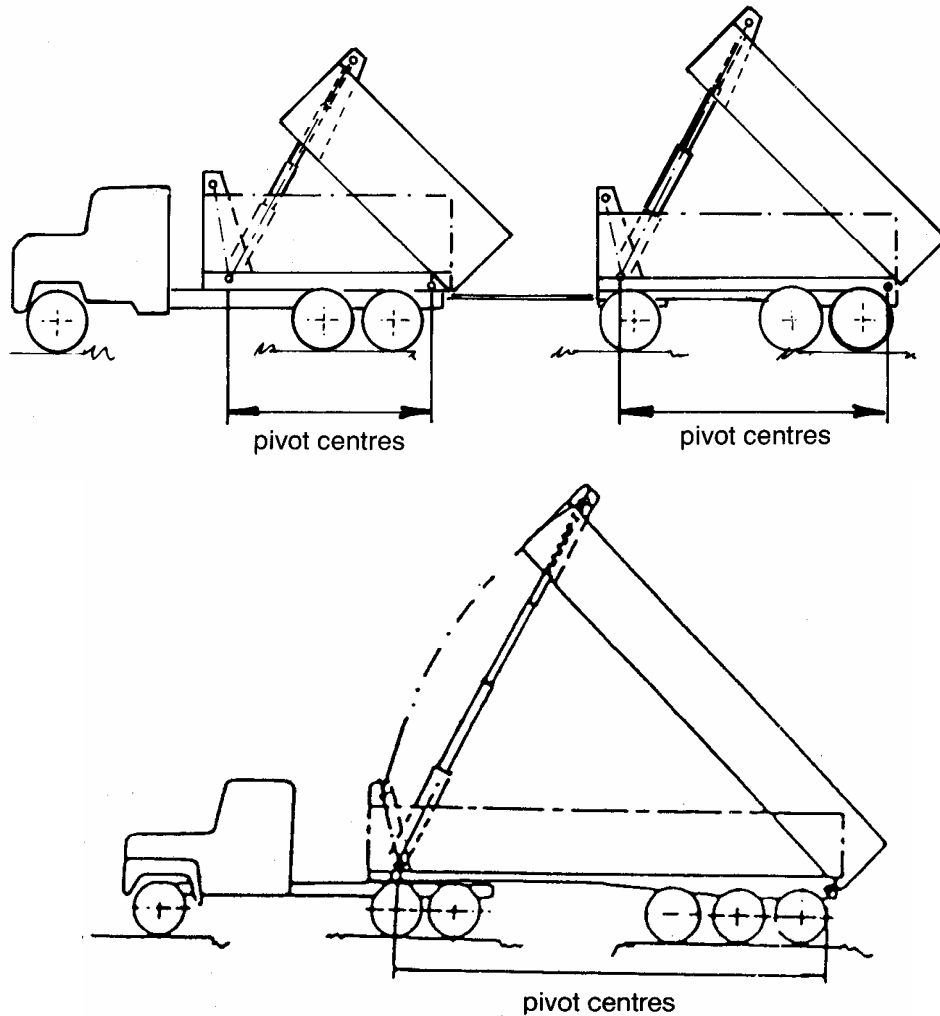


Barry Stoodley Pty Ltd

USEFUL HOIST CALCULATIONS FOR TIPPING ANGLE



ANGLE OF TIP

WHERE PIVOT CENTRES & STROKE ARE KNOWN
USE FORMULAE

$$\frac{\text{STROKE}}{\text{PIVOT CENTRES}} \times 59 = \text{ANGLE OF TIP}$$

HOIST STROKE

WHERE PIVOT CENTRES & ANGLE OF TIP ARE KNOWN
USE FORMULAE

40	ANGLE = PIVOT CENTRES X .68 = HOIST STROKE
45	ANGLE = PIVOT CENTRES X .76 = HOIST STROKE
47.5	ANGLE = PIVOT CENTRES X .80 = HOIST STROKE
50	ANGLE = PIVOT CENTRES X .84 = HOIST STROKE
55	ANGLE = PIVOT CENTRES X .92 = HOIST STROKE

NOTE: THESE FORMULAE ARE ACCURATE ENOUGH FOR CONVENTIONAL TIPPER CALCULATIONS